



Features

- Monostable
- Passes FCC part 68 & Telcordia surge test
- Ultra low weight, small package size
- UL/CUL certified
- Bifurcated Contacts

Contact Data*

Contact Arrangement	2C = DPDT
Contact Rating	2A @ 30VDC .5A @ 125VAC

Contact Resistance	< 50 milliohms initial
Contact Material	AgNi, Au clad - bifurcated
Maximum Switching Power	60W
Maximum Switching Voltage	250VAC, 220VDC
Maximum Switching Current	2A

Coil Data*

Coil Voltage VDC		Coil Resistance Ω ± 10%	Pick UP Voltage VDC (max)	Release Voltage VDC (max)	Coil Power W	Operate Time ms	Release Time ms	
Rated	Max		75% of rated voltage	10% of rated voltage				
5	6.5		178	3.75				.45
6	7.8		257	4.50				.60
9	11.7		579	6.75				.50
12	18.0		1028	9.00				1.2
24	36.0	2880	18.00	2.4	.14	4	4	

General Data*

Electrical Life @ rated load	100K cycles, average
Mechanical Life	10M cycles, average
Insulation Resistance	100M Ω min. @ 500VDC initial
Dielectric Strength, Coil to Contact	1500V rms min. @ sea level initial
Contact to Contact	1000V rms min. @ sea level initial
Between Poles	1000V rms min. @ sea level initial
Initial Surge Voltage, Coil to Contact	2500V (Telcordia, 2x10us)
Contact to Contact	1500V (FCC part 68, 10x60us)
Shock Resistance	75m/s ² for 11 ms
Vibration Resistance	3mm double amplitude 10~40Hz
Operating Temperature	-40°C to +85°C
Storage Temperature	-40°C to +155°C
Solderability	260°C for 5 s
Weight	2g

* Values can change due to the switching frequency, desired reliability levels, environmental conditions and in-rush load levels. It is recommended to test actual load conditions for the application. It is the user's responsibility to determine the performance suitability for their specific application. The use of any coil voltage less than the rated coil voltage may compromise the operation of the relay.

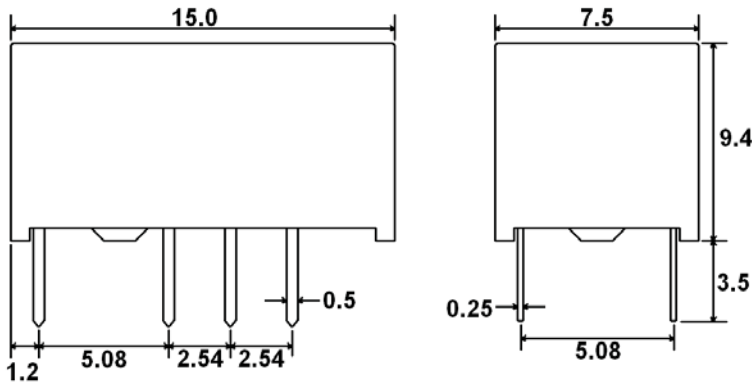
J860

Ordering Information

1. Series	J860	2C	S	12VDC
J860				
2. Contact Arrangement	2C = DPDT			
3. Sealing Option	S = Sealed			
4. Operating Function	Blank = Monostable			
5. Coil Voltage	5VDC 6VDC 9VDC 12VDC 24VDC			

Dimensions

Units = mm



Schematic

Bottom View

